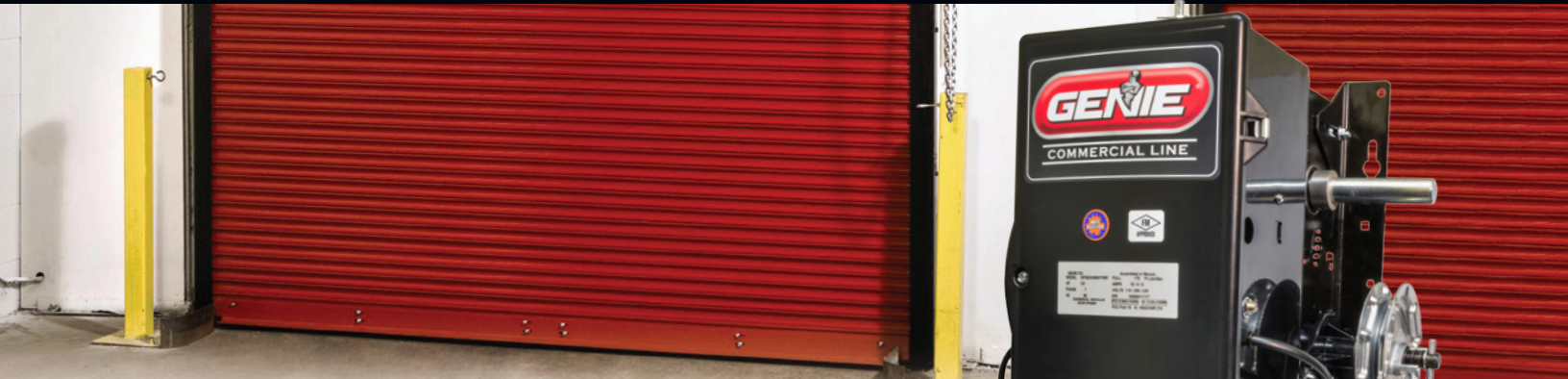


GCL FIRE DOOR OPERATOR

STANDARD-DUTY HOIST



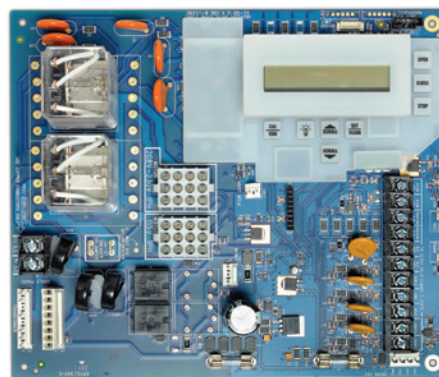
The GCL fire door operator is designed for rolling fire doors that have a 30-cycle/hour or less duty requirement. Advanced features and robust mechanical design combine to provide the next evolution in fire door operators.

GCL Fire Door Operator Advantages

- Floor level auto-reset. No manual intervention is required to reset fire door operator after a fire alarm or drop test. Upon reset of the fire alarm signal and test key switch, the fire door may be motor operated normally.
- 24-hour battery backup provides extra protection in the event of a power loss.
- Configuration settings for automatic door opening after reset of the test key switch.
- User-configured time delay after an alarm or test signal before activation of door drop.
- Sash chain release ready for jurisdictions that require a fusible link.
- Intuitive configuration and troubleshooting of fire door and standard door functions through the built-in LCD Display.
- Operator comes with a horn strobe and test key switch, eliminating need to purchase these items separately.
- MultiVolt™ - Order phase specific operator for the job and have the ability to select the right voltage on the job site. Single Phase: 115/208/230 VAC, Three Phase: 208/230/460 VAC, or Three Phase 575VAC voltage models available.
- Modular design with optional expansion boards for advanced timer to close, or auxiliary output functionality.
- LCD display with intuitive setup menu. Provides real-time status and troubleshooting assistance.
- EZ Limit™ provides for push to set limits that remain synchronized with door even during long term loss of power and after activation of fire door drop.
- TensiBelt™ primary drive reduction eliminates need to adjust belt tension.
- Open/close/stop and setup keys included on control board. Keeps all controls used for setup conveniently near the LCD display.
- Allows for monitored entrapment protection and momentary operation when used with select edge-sensing devices. See back page for approved list of monitored devices.

Standard Features

- Fire door operator module to control door release.
- EZ Limit™ electro-mechanical limits.
- Adjustable timed close feature.
- MultiVolt™ voltage simplification.
- Governor controlled door descent.
- Maximum run timer automatically adjusts to up and down run time.
- TensiBelt™ primary reduction.
- Delay on reverse.
- 16-character LCD display.
- UL Listed and FM Approved
- Advanced radio receiver displays and stores activation by transmitter ID number on the LCD screen.
- 3-button control station.
- 2-year/20,000-cycle warranty.
- Emergency hoist for manual operation; available in right or left hand.

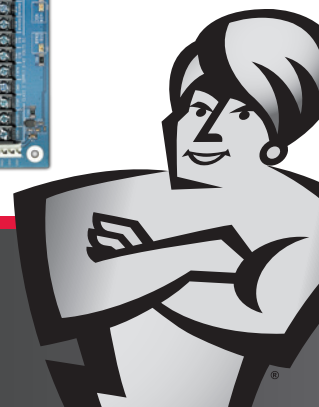


GCL Fire Door Operators are covered by the following U.S. patents: 6737823, 7878931, 8014966, 8113263



If a commercial door is an essential component of your business, then a Genie operator will help ensure it performs when you need it - every day. You can count on our long-standing reputation for innovative & reliable performance. Genie - Always At Your Command!

©2016 The Genie Company | GCL FIRE DOOR OPERATOR



GCL FIRE DOOR OPERATOR | STANDARD-DUTY HOIST

MAX SQFT SELECTION GUIDELINE*

Door Model	700 Series Non-Insulated						700C Series Insulated			
	Slat Profile	Curved No. 2 / Flat No. 17		Curved No. 4 / Flat No. 14				Flat No. 34		
Horsepower	Gauge	22 gauge steel	20 gauge steel	22 gauge steel	20 gauge steel	18 gauge steel	16 gauge steel	22 gauge steel	20 gauge steel	18 gauge steel
All HP	Minimum Sq. Ft.	36	36	36	25	16	16	16	9	9
1/2 HP	Maximum Sq. Ft.	100	100	100	81	81	64	64	49	49
3/4 HP	Maximum Sq. Ft.	144	144	121	100	100	81	81	64	64
1 HP	Maximum Sq. Ft.	196	196	169	144	121	121	100	100	100

*This chart is a general guideline to help with the quoting process to minimize errors. Rolling Fire Door is a highly complex and configured product. Consult factory for accuracy specifying operator horsepower, door height, door width, and slat type requirements.

Construction

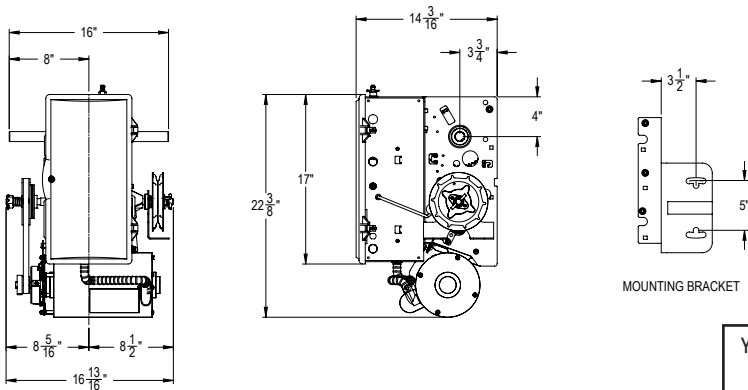
- Motor**
 AC continuous-duty motor. Motor replaceable without changing limits. Thermally protected.
- Drive**
 Primary — TensiBelt™ auto tensioning poly-V J belt.
 Secondary — chain and sprocket reduction.
- Brake**
 24V DC disc brake standard.
- Friction Clutch**
 Adjustable clutch to help protect against door and operator damage.
- Precision Radial Ball Bearings**
 Included in critical areas throughout the powertrain.
- Emergency Hoist Manual Operation**
 Electrically interlocked manual hoist with floor level disconnect.
- Pre-wired to accept:**
 - Monitored entrapment sensing edge.
 - Single or 3-button control stations.
 - External interlock switches.

Accessories and Options

- Timer to Close Module***
 Timed close set via the LCD display from 2 seconds up to 5 minutes. Includes pre-close warning contacts, timer hold input, auxiliary open input, normally closed safety input, and monitored edge input.
- Auxiliary Output Module***
 Provides relay contacts at the open, close, and mid-stop limits. Contacts for 5-minute lamp, and "ADA" contacts set via LCD display to warn during opening, closing or both.
- Intellicode® Transmitters**
 Available in single up to four button, or open/close/stop models.
- UL325 2010 Approved Reversing Devices**
 The installation of a monitored external entrapment device is required for momentary contact close operation on all commercial door operators. Only the following devices, when purchased through Genie, are UL Approved for use to meet this requirement:
 - MillerEdge ME/MT/CPT (DC or T3) 2-wire edge sensor. Must be used with TCM (OPABTCGX.S) or Interface Module (OPAKMEIGX.S).
- Notification Devices**
 Light, horn and horn/strobe for audible and visual signaling of alarm condition. One horn/strobe device included with the GCL Fire Door Operator.
- Detection Devices**
 Heat detectors and heat/smoke detectors available for detecting alarm conditions due to heat or smoke.

*Only one auxiliary module can be added to the GCL Fire Door Operator

AMPERAGE RATING - 60Hz							
HP	115V 10	208V 10	230V 10	208V 30	230V 30	460V 30	575V 30
1/2	10	5	5	3	3	3	2
3/4	11	6	6	3	4	3	2
1	14	7	7	4	4	3	2



YOUR GENIE PROFESSIONAL DEALER:

