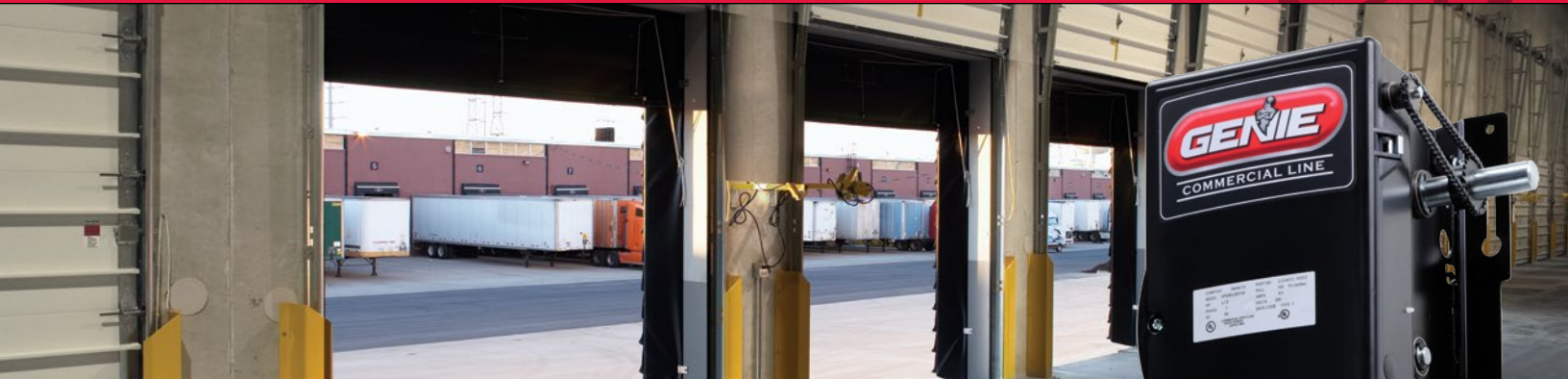


GCL-MJ

MEDIUM-DUTY JACKSHAFT OPERATOR

GENIE® COMMERCIAL OPERATORS



The GCL-MJ is designed for high or full-lift sectional and rolling doors that have a limited-duty cycle requirement. Advanced features and robust mechanical design combine to provide a medium-duty operator that is the new standard in the industry.

UL325-2010 APPROVED

- Allows for monitored entrapment protection and momentary operation when used with select photo eyes and/or edge-sensing devices.
- See back for approved list of monitored devices.

GCL-MJ Advantages

- Rated for 15 cycles per hour operation, maximizing performance out of a medium-duty operator.
- Modular design with optional expansion boards for advanced timer to close, and auxiliary output functionality.
- Optional: Intellicode® I plug and play receiver learns up to 50 transmitters. Learn and delete individual transmitters directly from LCD display.
- TensiBelt™ primary drive reduction eliminates need to adjust belt tension.
- Available in either 115V or 230V AC 1Ø 60Hz. Expanded offering increases applications available for medium-duty use.
- Motor with built-in thermal protection and ball bearing drive end. Provides overload protection and bearings extend life of motor over typical bushings.
- LCD display with intuitive setup menu. Provides real-time status and troubleshooting assistance.
- Open/close/stop and setup keys included on control board. Keeps all controls near the LCD display convenient for set up.



Standard Features

- Optical limit system with linear travel nuts.
- Max run timer automatically adjusts to up and down run time.
- TensiBelt™ primary reduction.
- Delay on reverse.
- 16-character LCD display.
- UL325-2010 approved.
- 3-button control station.
- 2-year/20,000-cycle warranty.
- Programmable mid-stop.
- Pull-cord release for emergency manual operation.



COMMERCIAL LINE

www.GenieCompany.com/commercial | 800.843.4084

GCL-MJ operators are covered by the following U.S. patents: 7355363, 7878931, 8014966

GCL-MJ | MEDIUM-DUTY JACKSHAFT OPERATOR

MAX DOOR SIZE (SQ*FT) - SECTIONAL																	
Door Series		Commercial Steel Insulated & Non-Insulated								Thermospan®				ThermoMark™		Aluminum	
		216	216 Ins.	220	220 Ins.	2415	2415 Ins.	2411	2411 Ins.	125	150	200	200-20	5150	5200	451	452
		Flush				Ribbed				Insulated				Insulated			
Model	Max Door Wt. (lbs.)	16GA.	16GA. Ins.	20GA. Steel	20GA. Ins.	24GA.	24GA. Ins.	Nominal 24GA.	Nominal 24GA. Ins.	PU-FIP	PU-FIP 1.38"	PU-FIP 2"	PU-FIP 2" 20GA. Ext.	PU-FIP Raised Panel 1.38"	PU-FIP Raised Panel 2"	1/8" Glass 1.38"	1/4" or 1/2" Glass 1.38"
1/2 HP	620	170	120	230	160	270	200	300	256	256	240	160	256	256	210	144	

MAX DOOR SIZE (SQ*FT) - ROLLING																
Door Series		Steel Non-Insulated						Steel Insulated			Counter Doors		Grilles		Sheet Door	
		16GA.	18GA.	20GA.	22GA.	24GA.	26GA.	18GA.	20GA.	22GA.	Aluminum	STL/SST	Aluminum	STL/SST	26GA.	
Model	Max Door Wt. (lbs.)	197	246	246	338	394	394	148	148	197	126	126	300	200	256	
1/2 HP	580															

Notes: 1. Max Door Weight and not the square footage, is the critical factor in selecting the proper operator.
 2. Max Door Height 16'
 3. For "Commercial Steel Insulated" category, various "backer" options are available. The chart above is based in all cases on the thickest backer available.
 4. "PU-FIP" stands for "polyurethane, foamed-in-place." If no notation is present, insulation is "polystyrene laid-in-place."

Construction

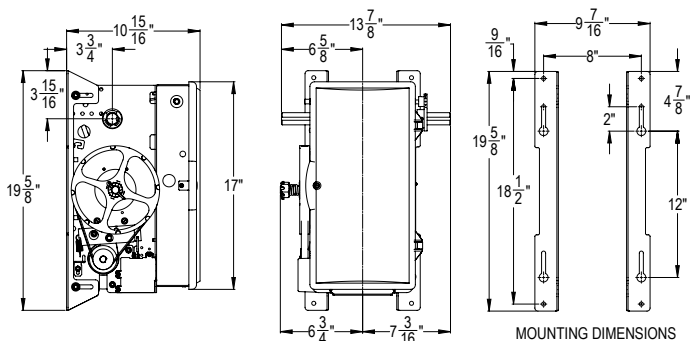
- Motor**
1/2 HP, AC capacitor start/run motor. Motor replaceable without changing limits.
- Brake**
AC solenoid-actuated band brake.
- Drive**
Primary — TensiBelt™ auto tensioning Poly-V J belt.
Secondary — chain and sprocket reduction.
- Friction Clutch**
Adjustable clutch to help protect against door and operator damage.
- Precision Radial Ball Bearings**
Included in critical areas throughout the powertrain.
- Emergency Manual Operation**
Pull-cord disconnect disengages drive allowing door to be moved manually while maintaining limits.
- Pre-wired to accept:**
 - Monitored entrapment device such as photo eyes.
 - Single or 3-button control stations.
 - External interlock switches.

Accessories and Options

- Timer to Close Module**
Timed close set via the LCD display from 2 seconds up to 5 minutes. Includes pre-close warning contacts, timer hold input, auxiliary open input, normally closed safety input, and monitored edge input.
- Auxiliary Output Module**
Provides relay contacts at the open, close, and mid-stop limits. Contacts for 5-minute lamp, and "ADA" contacts set via LCD display to warn during opening, closing or both.
- 315Mhz Receiver Module**
IntelliCode® I radio receiver that is 315Mhz and capable of storing 50 single-button and/or 50 open-close-stop transmitters with the ability to add and/or delete transmitters individually, identify and store activating transmitter ID(s).
- UL325-2010 Approved Reversing Devices**
The installation of a monitored external entrapment device is required for momentary contact close operation on all commercial door operators. Only the following devices, when purchased through Genie, are UL-Approved for use to meet this requirement:
 - Safe-T-Beam® Photoeye Kit with adjustable bracket P/N 38176R.S¹
 - Impact-protected Commercial Photoeye Kit P/N OPAKPE.S
 - MillerEdge ME/MT/CPT (DC or T3) 2-wire edge sensor. Must be used with TCM (OPABTCGX.S) or Interface Module (OPAKMEIGX.S).
 - Nema 4 Photoeyes P/N OPAKPEN4GX.S

¹ — Default device when operator is ordered.

AMPERAGE RATING 1Ø 60Hz		
HP	115V	230V
1/2	6.5	3.1



COMMERCIAL LINE

www.GenieCompany.com/commercial | 800.843.4084

©2012 The Genie Company | GCL-MJss

