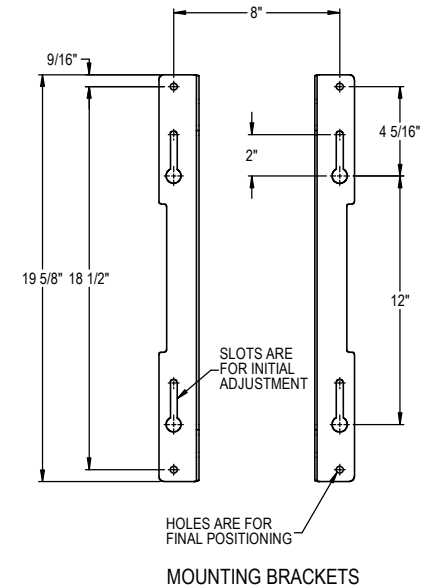


- NOTES:
1. PLEASE VERIFY VOLTAGE, PHASE & MOUNTING.
  2. ALL OPTIONAL ARE AT ADDED COST.
  3. A CLEARANCE OF 6" SHOULD BE ALLOWED FOR ACCESS TO ELECTRIC BOX.
  4. CONTROL VOLTAGE IS A NEC CLASS 2 CIRCUIT.
  5. AVERAGE DOOR TRAVEL SPEED IS 8" PER SECOND.



ELECTRIC OPERATOR: GCL-MH (MEDIUM DUTY)	
DOOR TYPE: ROLLING STEEL	
MOUNTING TYPE: WALL MOUNT	
PROJECT:	
ARCHITECT:	
CONTRACTOR:	
DISTRIBUTOR:	
PLANT:	
DRAWN BY:	DATE:
APPROVED BY:	DATE:
DWG NO.	SHT ___ OF ___
ENG. CERT. NO.	
<b>112273.0001 REV. -</b>	

ARCHITECT DOOR NUMBER	QTY	FACTORY ORDER NUMBER	MOUNT TYPE		VOLTS		PHASE	CONTROL STATION		
			WALL MOUNT	ROLLING STEEL	115	230		3 BTN	KEY SWITCH	EXT. FLUSH 3 BUTTON

