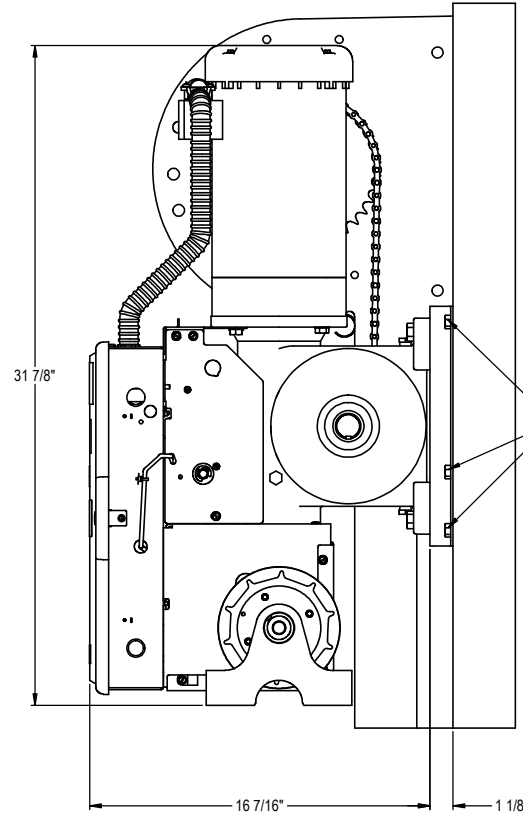
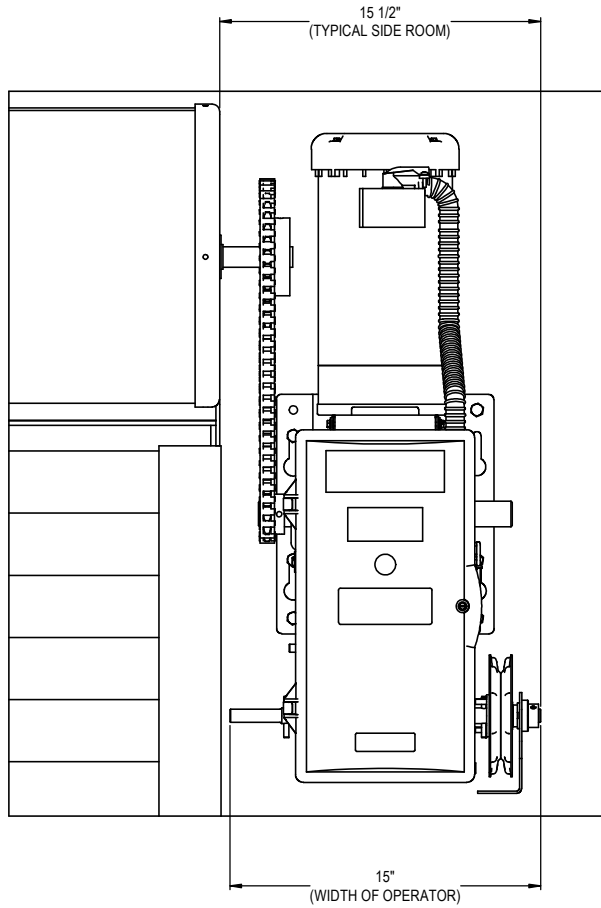
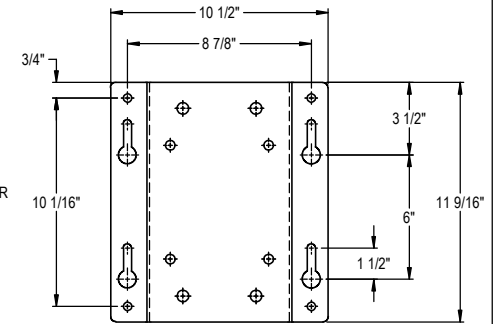


NOTES:

1. PLEASE VERIFY VOLTAGE, PHASE & MOUNTING.
2. ALL OPTIONAL ARE AT ADDED COST.
3. A CLEARANCE OF 6" SHOULD BE ALLOWED FOR ACCESS TO ELECTRIC BOX.
4. CONTROL VOLTAGE IS A NEC CLASS 2 CIRCUIT.
5. AVERAGE DOOR TRAVEL SPEED IS 8" PER SECOND.



THE LOAD / PULL INDUCED TO THE OPERATOR COULD BE AS HIGH AS 2000 LBS WHILE THE DOOR IS BEING OPERATED. MAKE SURE THAT THIS MOUNTING PAD HAS THE STENGTH TO SUPPORT THESE LOADS



WALL MOUNT BRACKET

ELECTRIC OPERATOR: GCL-GH (HEAVY DUTY) (3 HP)	
DOOR TYPE: ROLLING STEEL	
MOUNTING TYPE: WALL MOUNT	
PROJECT:	
ARCHITECT:	
CONTRACTOR:	
DISTRIBUTOR:	
PLANT:	
DRAWN BY:	DATE:
APPROVED BY:	DATE:
DWG NO.	SHT ___ OF ___
ENG. CERT. NO.	

ARCHITECT DOOR NUMBER	QTY	FACTORY ORDER NUMBER	VOLTS					PHASE		CONTROL STATION			
			MOUNT TYPE	115	208	230	460	575	1 PHASE	3 PHASE	3 BTN	KEY SWITCH	EXT. FLUSH 3 BUTTON
			WALL MOUNT ROLLING STEEL										