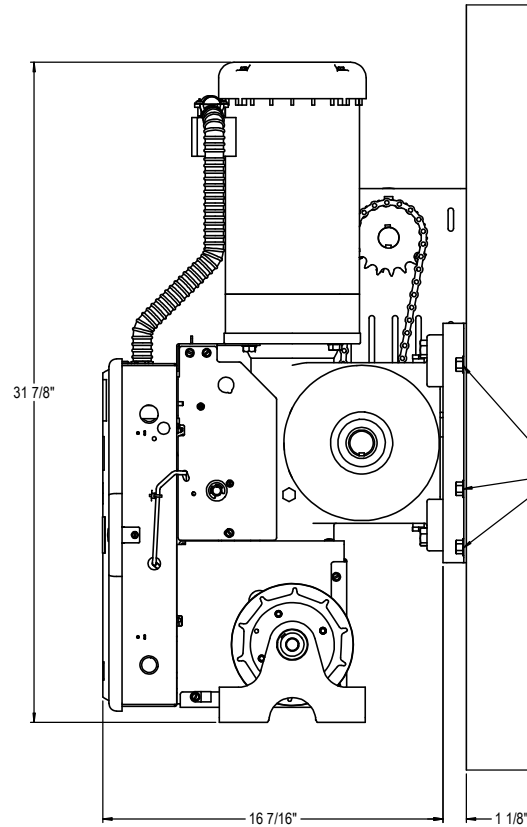
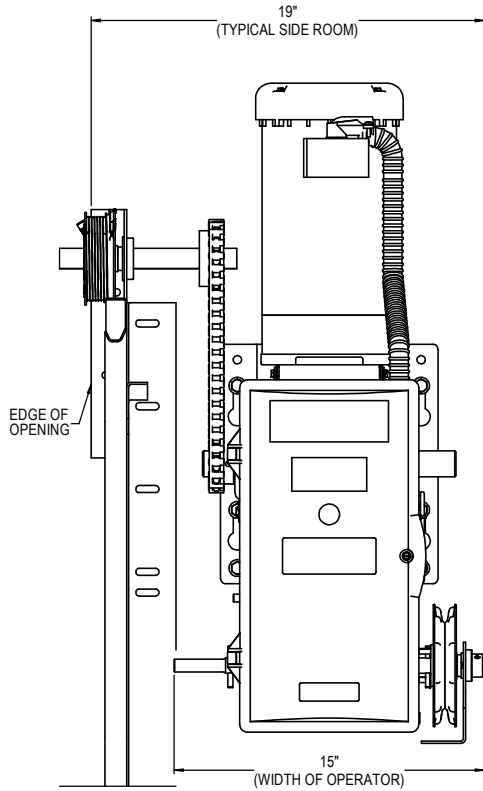
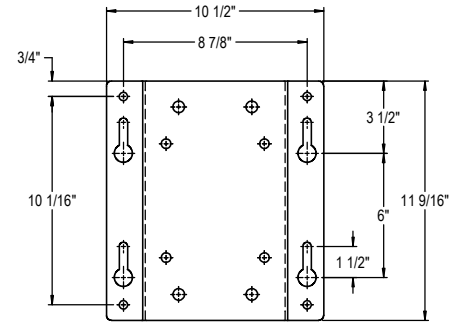


▷ NOTES:

1. PLEASE VERIFY VOLTAGE, PHASE & MOUNTING.
2. ALL OPTIONAL ARE AT ADDED COST.
3. A CLEARANCE OF 6" SHOULD BE ALLOWED FOR ACCESS TO ELECTRIC BOX.
4. CONTROL VOLTAGE IS A NEC CLASS 2 CIRCUIT.
5. AVERAGE DOOR TRAVEL SPEED VARIES PER DRUM USED.



THE LOAD / PULL INDUCED TO THE OPERATOR
COULD BE AS HIGH AS 2000 LBS WHILE THE
DOOR IS BEING OPERATED. MAKE SURE THAT
THIS MOUNTING PAD HAS THE STRENGTH TO
SUPPORT THESE LOADS.



WALL MOUNT BRACKET

ELECTRIC OPERATOR: GCL-GH (HEAVY DUTY) (3 HP)

DOOR TYPE: SECTIONAL

MOUNTING TYPE: SIDEMOUNT CHAIN COUPLE

PROJECT:

ARCHITECT:

CONTRACTOR:

DISTRIBUTOR:

PLANT:

DRAWN BY: _____ DATE: _____

APPROVED BY: _____ DATE: _____

DWG NO. _____ SHT ___ OF ___

ENG. CERT. NO. _____

ARCHITECT DOOR NUMBER	QTY	FACTORY ORDER NUMBER	MOUNT TYPE	VOLTS					PHASE		CONTROL STATION			
			SECTIONAL SIDEMOUNT	115	208	230	460	575	1 PHASE	3 PHASE	3 BTN	KEY SWITCH	EXT. FLUSH 3 BUTTON	

112293.0001 REV.-

