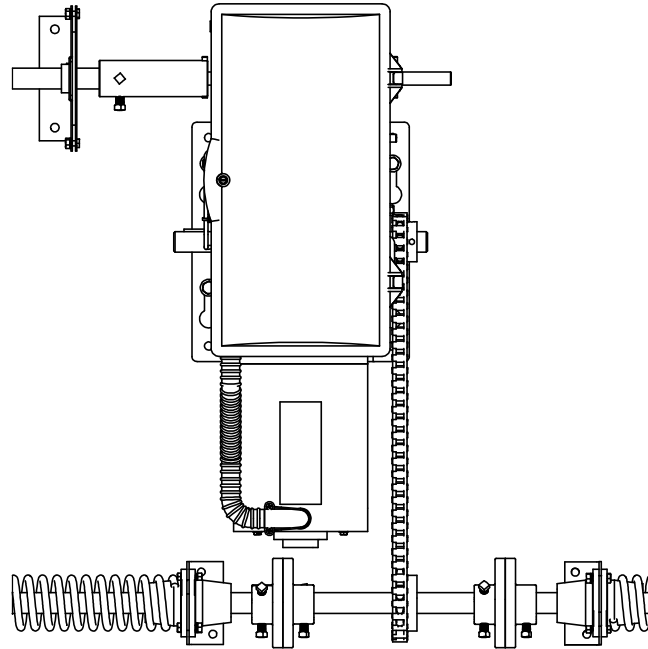
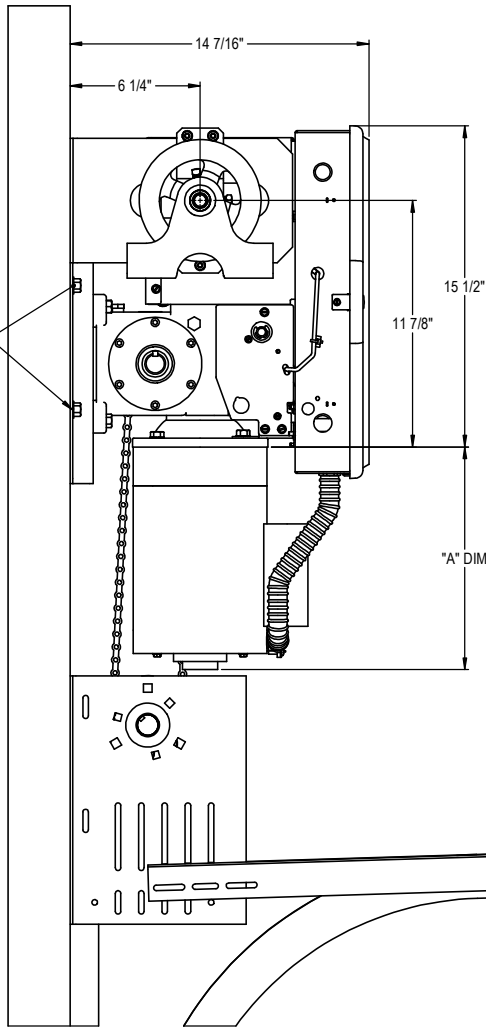


THE LOAD / PULL INDUCED TO THE OPERATOR COULD BE AS HIGH AS 1000 LBS WHILE THE DOOR IS BEING OPERATED. MAKE SURE THAT THIS MOUNTING PAD HAS THE STRENGTH TO SUPPORT THESE LOADS.

OPEN DRIP-PROOF MOTOR	"A" DIM
1/2HP (1PH)	8 1/8"
3/4HP (1PH)	10 3/4"
1HP (1PH)	10 3/4"
1/2HP (3PH)	8 3/4"
3/4HP (3PH)	9 1/4"
1HP (3PH)	9 3/4"
1/2HP (575V)	8 3/4"
3/4HP (575V)	9 1/4"
1HP (575V)	9 3/4"

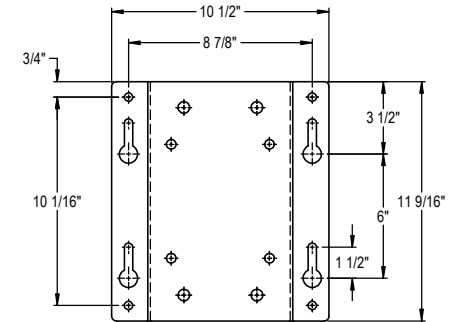
TEFC MOTOR	"A" DIM
1/2HP (1PH)	10 1/4"
1HP (1PH)	11 7/16"
1/2HP (3PH)	9 3/4"
1HP (3PH)	10 3/4"
1HP (575V)	10 3/4"

TENV MOTOR	"A" DIM
1/2HP (1PH)	10 1/8"
1/2HP (3PH)	8 13/16"
1HP (3PH)	11 5/16"
1HP (575V)	11 5/16"



NOTES:

- PLEASE VERIFY VOLTAGE, PHASE & MOUNTING.
- ALL OPTIONAL ARE AT ADDED COST.
- A CLEARANCE OF 6" SHOULD BE ALLOWED FOR ACCESS TO ELECTRIC BOX.
- CONTROL VOLTAGE IS A NEC CLASS 2 CIRCUIT.
- AVERAGE DOOR TRAVEL SPEED VARIES PER DRUM USED.



WALL MOUNT BRACKET

ELECTRIC OPERATOR: GCL-GH (HEAVY DUTY) (1/2, 3/4, 1HP)	
DOOR TYPE:	SECTIONAL
MOUNTING TYPE:	CENTERMOUNT CHAIN COUPLE
PROJECT:	
ARCHITECT:	
CONTRACTOR:	
DISTRIBUTOR:	
PLANT:	
DRAWN BY:	DATE:
APPROVED BY:	DATE:
DWG NO.	SHT ___ OF ___
ENG. CERT. NO.	

ARCHITECT DOOR NUMBER	QTY	FACTORY ORDER NUMBER	MOUNT TYPE	VOLTS					PHASE		CONTROL STATION			
			CENTERMOUNT	115	208	230	460	575	1 PHASE	3 PHASE	3 BTN	KEY SWITCH	EXT. FLUSH 3 BUTTON	