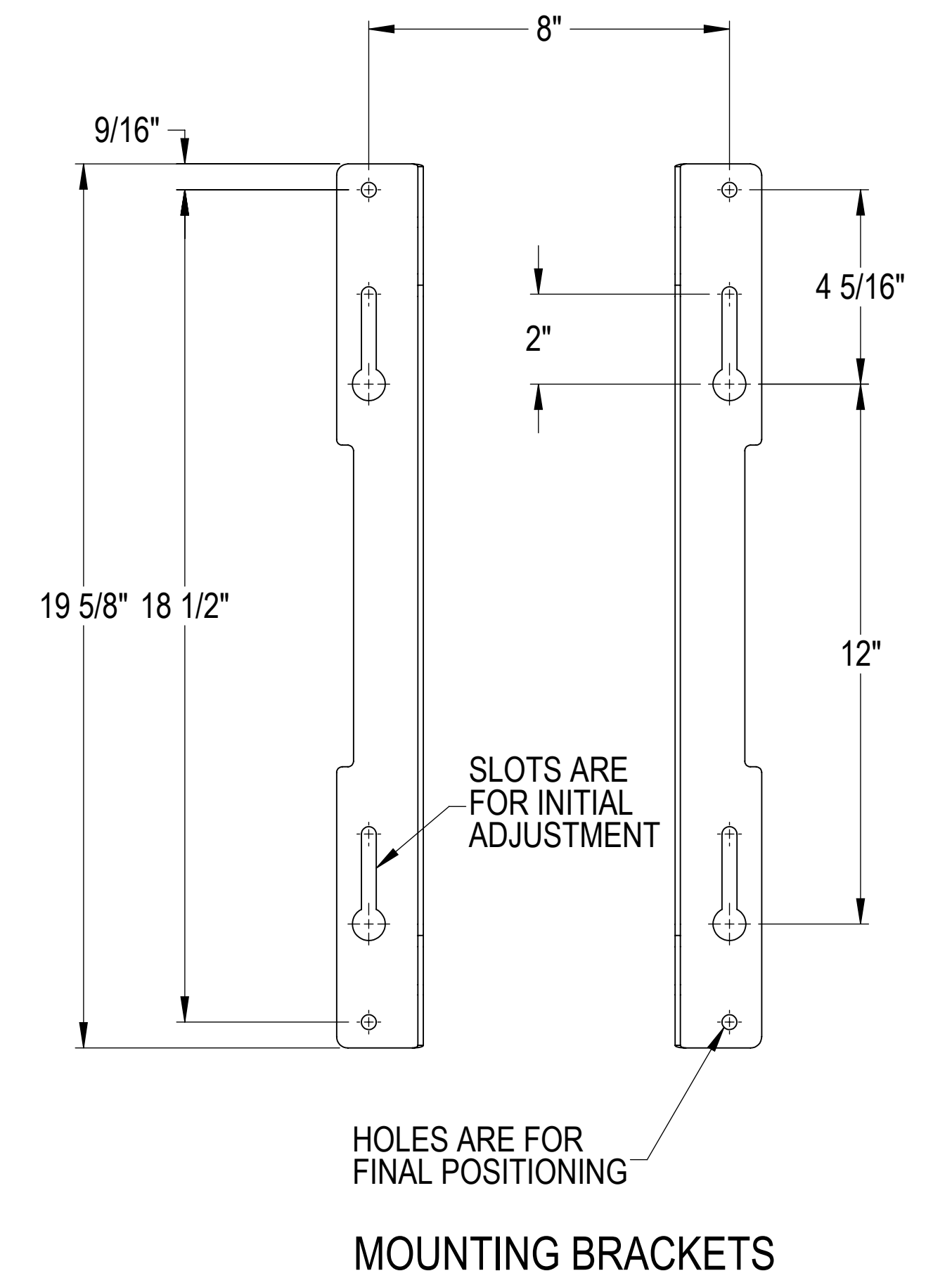
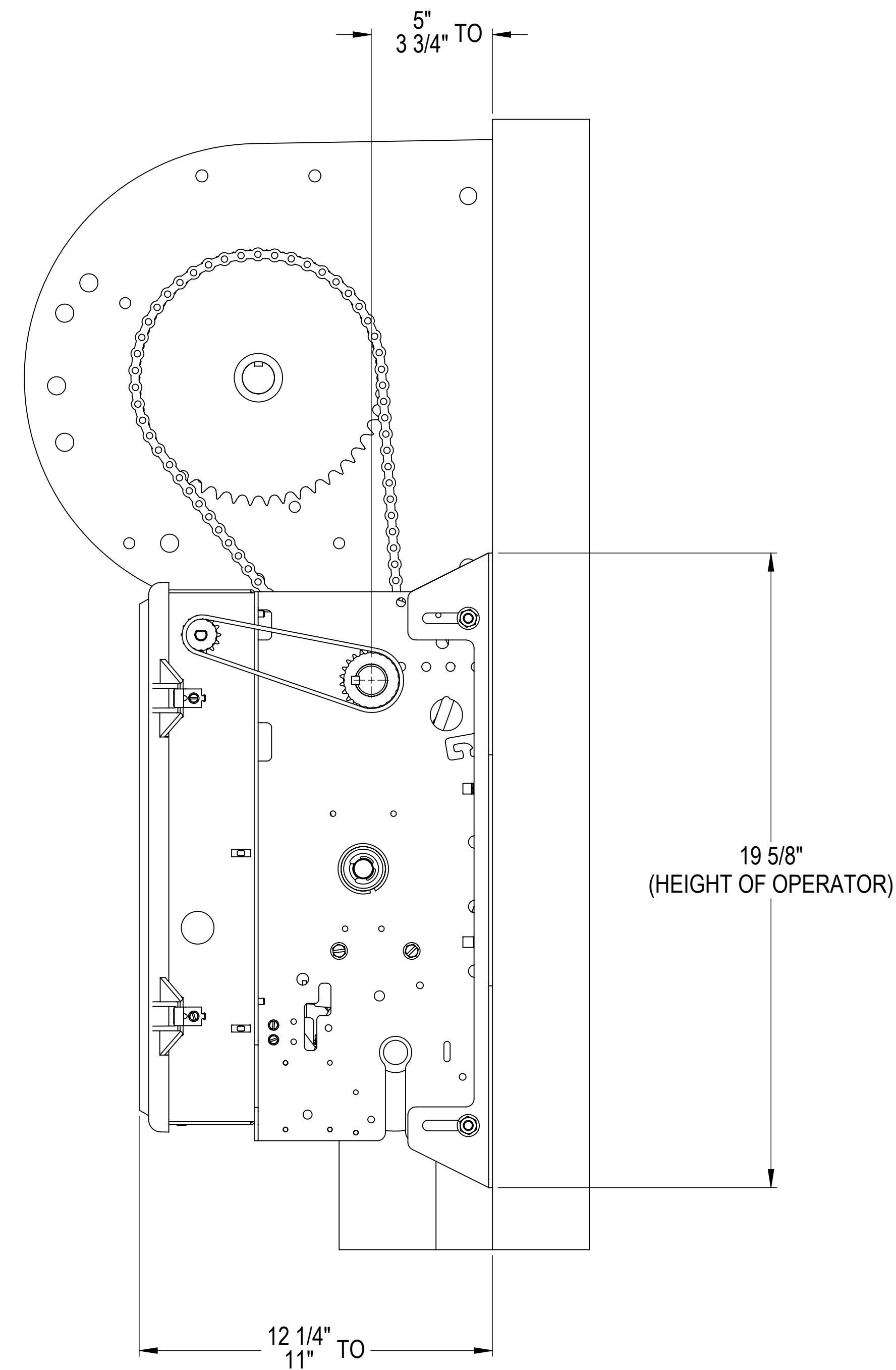
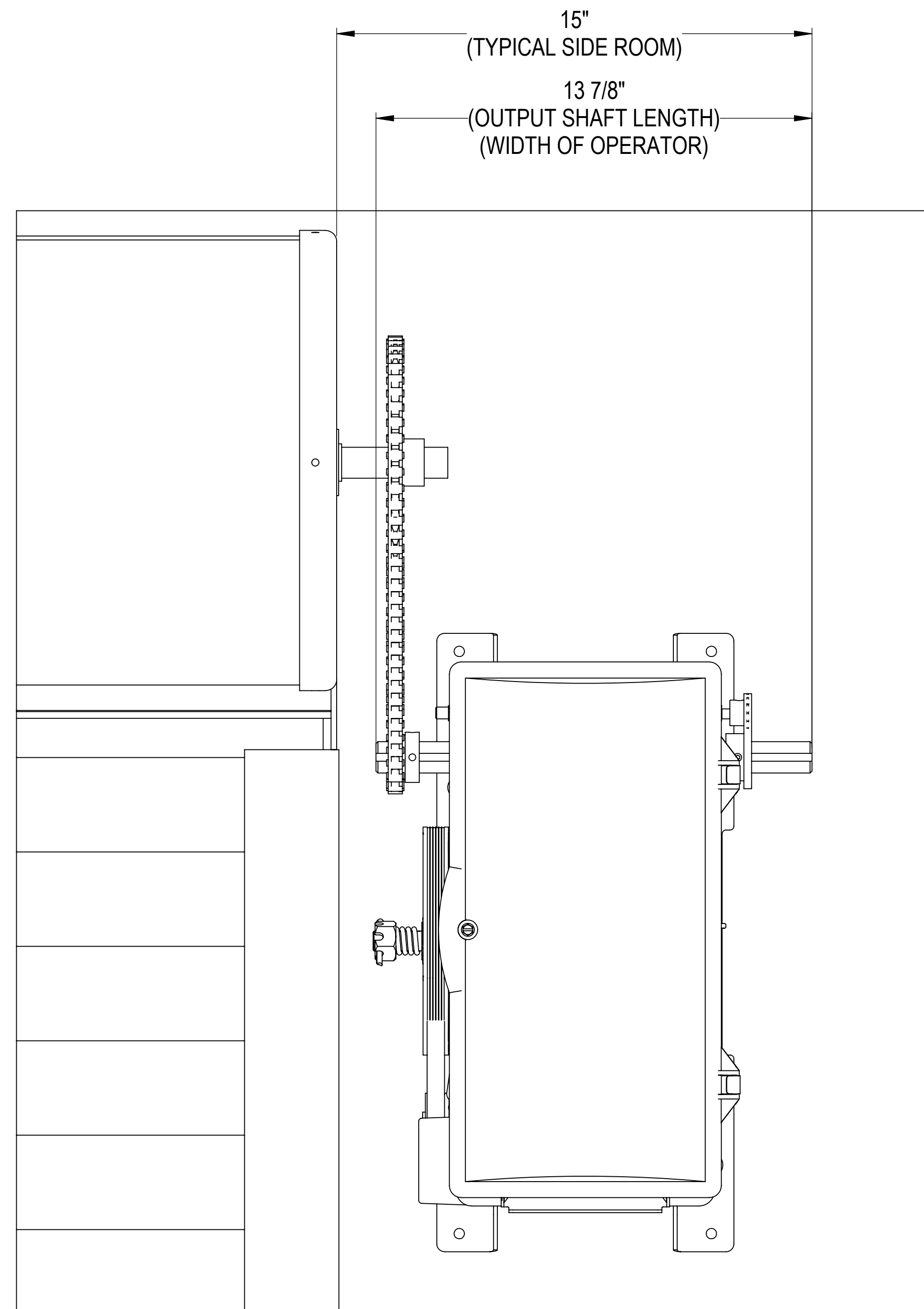


NOTES:

1. PLEASE VERIFY VOLTAGE, PHASE & MOUNTING.
2. ALL OPTIONAL ARE AT ADDED COST.
3. A CLEARANCE OF 6" SHOULD BE ALLOWED FOR ACCESS TO ELECTRIC BOX.
4. CONTROL VOLTAGE IS A NEC CLASS 2 CIRCUIT.
5. AVERAGE DOOR TRAVEL SPEED IS 8" PER SECOND.



ELECTRIC OPERATOR: GCL-MJ (MEDIUM DUTY)	
DOOR TYPE:	ROLLING STEEL
MOUNTING TYPE:	WALL MOUNT
PROJECT:	
ARCHITECT:	
CONTRACTOR:	
DISTRIBUTOR:	
PLANT:	
DRAWN BY:	DATE:
APPROVED BY:	DATE:
DWG NO.	SHT ___ OF ___
ENG. CERT. NO.	

ARCHITECT DOOR NUMBER	QTY	FACTORY ORDER NUMBER	MOUNT TYPE	VOLTS		PHASE	CONTROL STATION		
			WALL MOUNT ROLLING STEEL	115	230	1 PHASE	3 BTN	KEY SWITCH	EXT. FLUSH 3 BUTTON

112378.0001 REV. -

