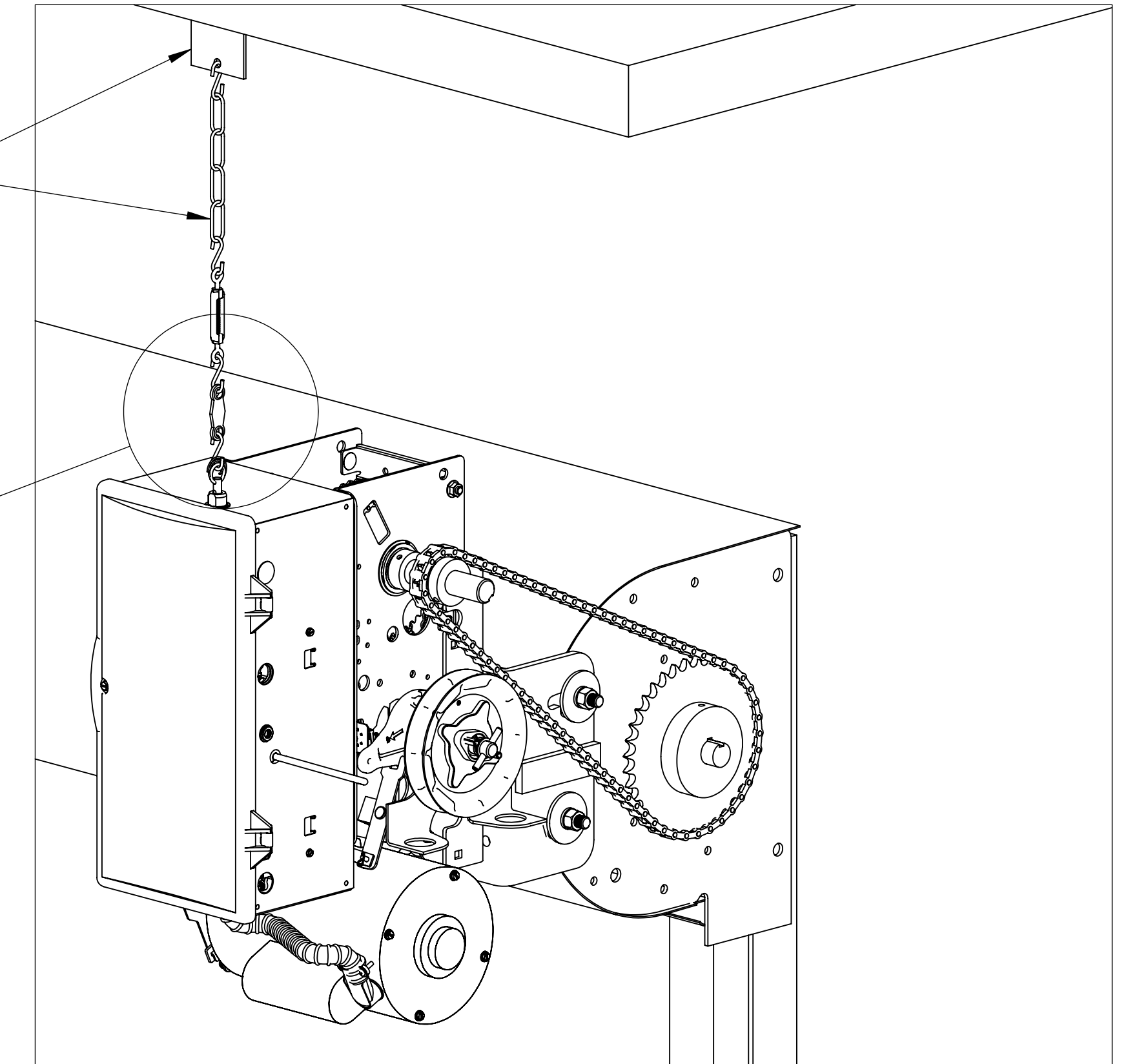


TYPICAL INSTALLATION

- NOTES:
1. VERIFY VOLTAGE, PHASE & MOUNTING.
  2. ALL OPTIONS ARE AN ADDED COST.
  3. A CLEARANCE OF 6" SHOULD BE ALLOWED FOR ACCESS TO ELECTRIC BOX.
  4. CONTROL VOLTAGE IS A NEC CLASS 2 CIRCUIT.
  5. WIRE SIZE TO BE DETERMINED BY A LICENSED ELECTRICIAN.
  6. IT IS RECOMMENDED THAT THE OPERATOR BE BRACED TO THE WALL FOR STABILIZING AND A SAFETY CABLE ATTACHED.

BRACKET AND SASH CHAIN.  
(DOES NOT COME WITH OPERATOR)  
THIS IS SHOWN AS AN EXAMPLE ONLY,  
ACTUAL INSTALLATION OF FUSE LINK  
AND SASH CHAIN MUST COMPLY WITH  
NFPA-80 GUIDELINES). SASH CHAIN  
MUST BE A STRAIGHT PULL.

FUSE LINK  
(DOES NOT COME  
WITH OPERATOR)  
MUST COMPLY WITH  
NFPA-80 GUIDELINES



FUSIBLE LINK  
INSTALLATION MUST COMPLY WITH NFPA-80 GUIDELINES

ELECTRIC OPERATOR:	GCL FIRE DOOR OPERATOR (STANDARD DUTY)
DOOR TYPE:	ROLLING FIRE DOOR
MOUNTING TYPE:	FRONT OF HOOD (DOOR AND OPERATOR LAYOUT)

PROJECT:	
ARCHITECT:	
CONTRACTOR:	
DISTRIBUTOR:	
PLANT:	

DRAWN BY:	DATE:
APPROVED BY:	DATE:
DWG NO.	SHT ___ OF ___
ENG. CERT. NO.	

ARCHITECT DOOR NUMBER	QTY	FACTORY ORDER NUMBER	MOUNT TYPE		VOLTS					PHASE		CONTROL STATION			
			FRONT OF HOOD		115	208	230	460	575	1 PHASE	3 PHASE	3 BTN	KEY SWITCH	EXT. FLUSH 3 BUTTON	

112760-0001

