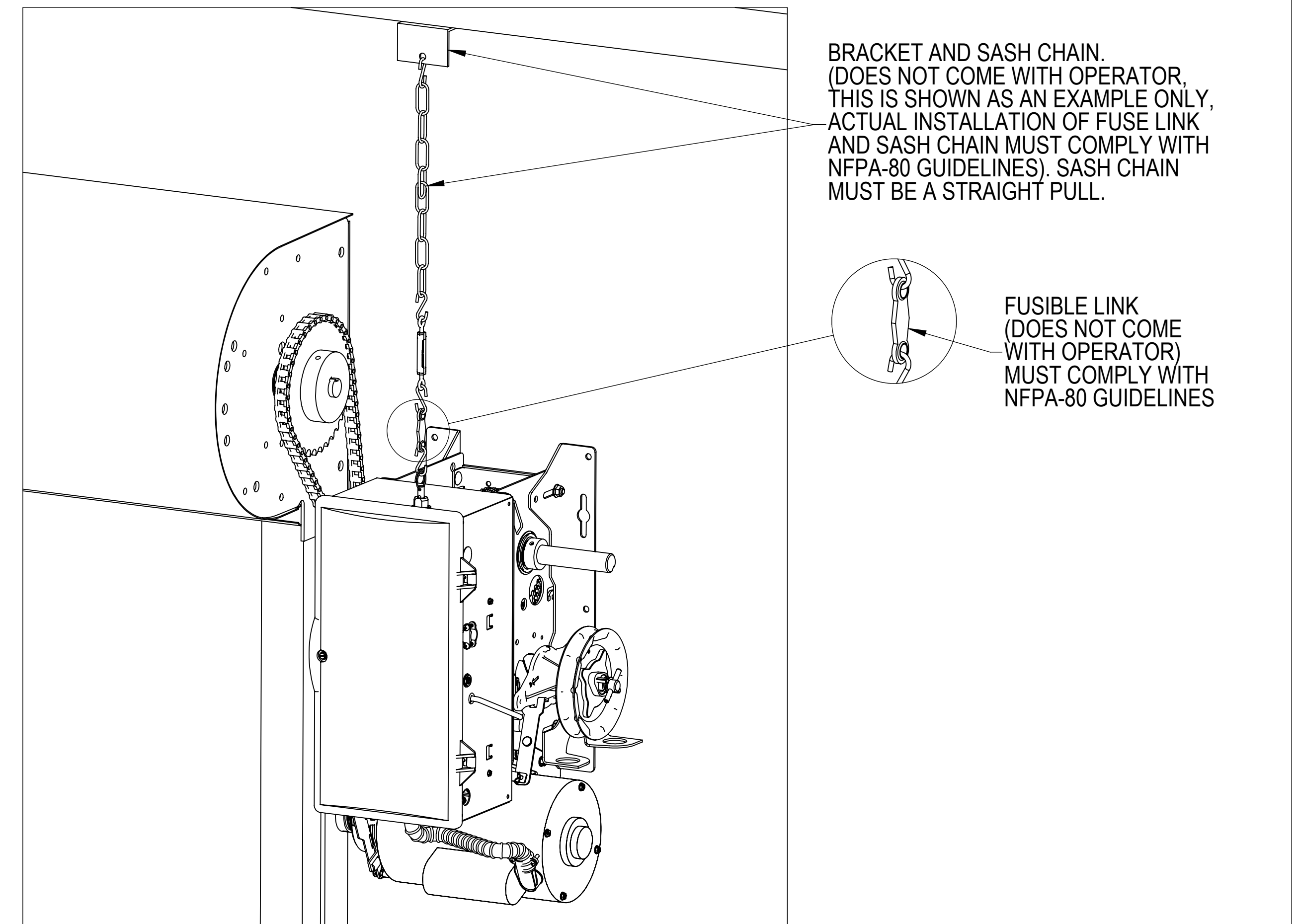


- NOTES:
1. VERIFY VOLTAGE, PHASE & MOUNTING.
 2. ALL OPTIONS ARE AN ADDED COST.
 3. A CLEARANCE OF 6" SHOULD BE ALLOWED FOR ACCESS TO ELECTRIC BOX.
 4. CONTROL VOLTAGE IS AN NEC CLASS 2 CIRCUIT.
 5. WIRE SIZE TO BE DETERMINED BY A LICENSED ELECTRICIAN.
 6. IT IS RECOMMENDED THAT THE OPERATOR BE BRACED TO THE WALL FOR STABILIZING AND A SAFETY CABLE ATTACHED.



FUSIBLE LINK
INSTALLATION MUST COMPLY WITH NFPA-80 GUIDELINES
SCALE: 1/5

ELECTRIC OPERATOR:	GCL FIRE DOOR OPERATOR (STANDARD DUTY)
DOOR TYPE:	ROLLING FIRE DOOR
MOUNTING TYPE:	WALL MOUNT (DOOR AND OPERATOR LAYOUT)
PROJECT:	
ARCHITECT:	
CONTRACTOR:	
DISTRIBUTOR:	
PLANT:	
DRAWN BY:	DATE:
APPROVED BY:	DATE:
DWG NO.	SHT ___ OF ___
ENG. CERT. NO.	

ARCHITECT DOOR NUMBER	QTY	FACTORY ORDER NUMBER	MOUNT TYPE		VOLTS					PHASE		CONTROL STATION				
			WALL MOUNT		115	208	230	460	575	1 PHASE	3 PHASE	3 BTN	KEY SWITCH	EXT. FLUSH 3 BUTTON		

112793-0001

