

# Model GCL - GCX

## Light-Duty Specifications



### PART 1 – GENERAL

#### 1.01 WORK INCLUDED

- A. Provide electric door operator(s) of size and capacity recommended for door(s) as provided by door manufacturer with electric motor and factory pre-wired motor controls, starter, reduction unit, control devices, and accessories required for proper operation.

#### 1.02 RELATED WORK

- A. Opening preparation, miscellaneous or structural metal work, access, field electrical wiring, wire conduit, fuses and disconnect switches are in the Scope of Work of other divisions or trades.

#### 1.03 QUALITY ASSURANCE

- A. In accordance with accepted quality assurance guidelines for motor-operated doors, both the door and electric operator shall be manufactured by a single-source producer of door systems.

### PART 2 - PRODUCT

#### 2.01 GENERAL

- A. The electric door operator shall be the Model GCL-GCX Light-Duty door control system for a counter door and/or (rolling steel door) and/or (rolling steel grille) as manufactured by The Genie Company and suitable for the type and size of door specified.
- B. The electric operator shall be single phase 115VAC 60Hz.
- C. All components to have corrosion resistant coatings.
- D. The operator shall be suited for NEMA ICS 6 Type 1.

#### 2.02 MOTOR

- A. Motor shall be AC ½ horsepower with quick reversing, intermittent-duty cycle and automatic reset thermal protection. Motor shall be UL-listed. Motor shall comply with NEMA 42, open drip-proof construction.

#### 2.03 REDUCTION

- A. Primary reduction is worm gear. Secondary reduction is by hardened bevel gear. Powertrain shall incorporate oil-impregnated bushings.

#### 2.04 DUTY CYCLE

- A. Duty cycle shall accommodate up to 4 cycles per hour, not to exceed 25 cycles per day.

#### 2.07 LIMIT SYSTEM

- A. The EZ Limit™ system shall be magnetic type providing absolute positioning with push to set capabilities. The limit system shall remain synchronized with the door during manual operation and supply power interruptions.

#### 2.08 CONTROL SYSTEM

- A. The control system shall be microprocessor-based with relay motor controls on a single board. This system will incorporate a 16-character liquid crystal display (LCD) to display the system status. This system shall be capable of monitoring and reporting on a variety of operating conditions, including: current operating status, current command status, motor movement status, current error status (if applicable), hoist interlock status (if applicable), external interlock status, and 24VDC status.
- B. The control system shall feature a delay-on-reverse operating protocol.
- C. The system shall include maximum run timers in both directions of travel that limit motor run time in the event a problem occurs.
- D. It shall include provisions for the connection of a 2-wire monitored photocell system or a 2-wire monitored edge sensor, as well as non-monitored 2-wire sensing edges, photocells or other entrapment protection devices.
- E. Control action will be constant contact close until a monitored entrapment device is installed, allowing for selection of momentary contact.
- F. The system shall include provisions for connection of single and/or 3-button control stations.
- G. The system shall include provisions for connection of an external 3-wire radio controls and related control devices.
- H. The control system shall include on board open, close and stop control keys for local operation.

#### 2.09 MOUNTING

- A. Mounting shall be front of hood and chain/sprocket coupling to door.

#### 2.10 RELEASE

- A. Release shall be a pull and hold type mechanism with a single cable operation.

#### 2.11 HAND CRANK (OPTIONAL)

- A. Operator shall provide hand crank for manual door control.  
**NOT FOR RESIDENTIAL USE.**

#### 2.12 OPTIONAL CONTROL ACCESSORIES

- A. Control accessories: In (lieu of) (addition to) (interior push-button control station) (exterior push-button control station) (interior key switches) (exterior key switches) (radio control) (Genie-monitored photo electric eyes) (commercial photo electric eyes) (floor loops) (motion sensors).
- B. Operator accessories shall be timer to close and will provide auxiliary control inputs, auxiliary safety inputs, auxiliary timer hold input, and an automatic door-closing feature with a user selectable time delay. Safety inputs are to be enabled or disabled using the on board keypad.
- C. Operator accessories shall be Auxiliary Output Module and will provide several auxiliary sets of dry contacts that are microprocessor-controlled. Provides contacts for (up) (down) (mid-stop) limit. Provides contacts to be configured using the on-board keypad to activate (lights) (horn) (strobes) while door is running (up) (down) (both up and down).

### PART 3 - EXECUTION

- 3.01 The Model GCL-GCX™ Light-Duty shall be installed in accordance with The Genie Company instructions and standards. Installation will be by trained and authorized Genie Company distributors or dealers.

©2012 The Genie Company. All Rights Reserved.

A copyright license to reproduce this specification is hereby granted to non-manufacturing architects, engineers and specification writers.

*Note to specifier:*

*This specification is a suggested guide. Available options are shown in parentheses.*

**Model GCL – GCX**  
 Light-Duty Specifications



**COMMERCIAL LINE**

**SALES INFORMATION**

**Job Name:** \_\_\_\_\_

**Architect:** \_\_\_\_\_

**Contractor:** \_\_\_\_\_

**APPLICATION INFORMATION**

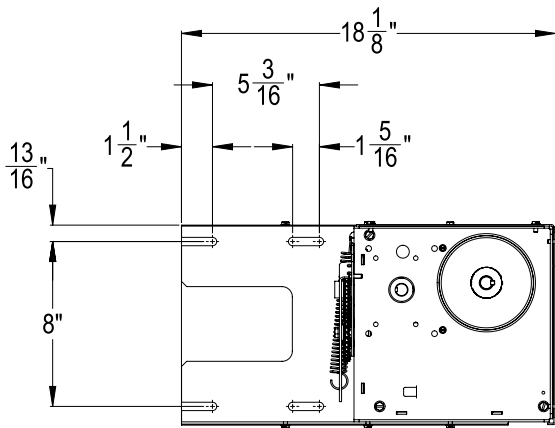
**Door Type:** \_\_\_\_\_ **Door Size - Width:** \_\_\_\_\_ **Height:** \_\_\_\_\_ **Drive Side:** \_\_\_\_\_

**Light-Duty Model:** \_\_\_\_\_ **HP:** \_\_\_\_\_ **Voltage:** \_\_\_\_\_ **Phase:** \_\_\_\_\_ **Hertz:** \_\_\_\_\_

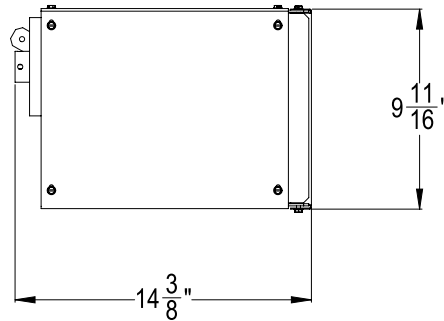
**Monitored Entrapment Device:** \_\_\_\_\_

**DIMENSIONS**

**GCL-GCX**



GCX



**AMPERAGE RATING 1Ø 60Hz**

|           |             |
|-----------|-------------|
| <b>HP</b> | <b>115V</b> |
| 1/2       | 6.0         |



Dealer Imprint Area