

GCL-H

STANDARD-DUTY HOIST OPERATOR



The GCL-H is designed for high or full-lift sectional and rolling doors that have a 30-cycle/hour or less duty requirement. Advanced features and robust mechanical design combine to provide a standard-duty operator that sets a new standard for productivity.

UL325-2010 APPROVED

- Allows for monitored entrapment protection and momentary operation when used with select photo eyes and/or edge-sensing devices.
- See back for approved list of monitored devices.

GCL-H Advantages

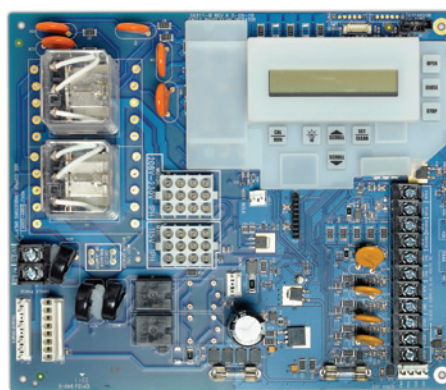
- MultiVolt™ - Order phase specific operator for the job and have the ability to select the right voltage on the job site.
 - Single Phase: 115/208/230 VAC
 - Three Phase: 208/230/460 VAC
 - Three Phase: 575 VAC
- Modular design with optional expansion boards for advanced timer to close, and auxiliary output functionality.
- LCD display with intuitive setup menu. Provides real-time status and trouble-shooting assistance.
- Internal receiver with the ability to individually add/delete up to 50 Intellicode® I transmitters directly from the LCD display.
- EZ Limit™ provides for push to set limits that remain synchronized with door even during long term loss of power.
- TensiBelt™ primary drive reduction eliminates need to adjust belt tension.
- Open/close/stop and setup keys included on control board. Keeps all controls near the LCD display used convenient for set up.

GCL-H operators are covered by the following U.S. patents: 6737823, 7878931, 8014966, 8113263



Standard Features

- EZ Limit™ electro-mechanical limits.
- MultiVolt™ voltage simplification.
- Max run timer automatically adjusts to up and down run time.
- TensiBelt™ primary reduction.
- Delay on reverse.
- 16-character LCD display.
- UL325-2010 approved.
- Advanced radio receiver displays and stores activation by transmitter ID number on the LCD screen.
- 3-button control station.
- 2-year/20,000-cycle warranty.
- Programmable mid-stop.
- Emergency hoist for manual operation; available in right or left hand.
- On-board timed close



If a commercial door is an essential component of your business, then a Genie operator will help ensure it performs when you need it - every day. You can count on our long-standing reputation for innovative & reliable performance. Genie - The Brand You Trust.

©2020 The Genie Company | GCL-H



GCL-H | STANDARD-DUTY HOIST OPERATOR

MAX DOOR SIZE (SQ*FT) - SECTIONAL

| Door Series | | Commercial Steel Insulated & Non-Insulated | | | | | | | | Thermospan® | | | | ThermoMark™ | | Aluminum | |
|-------------|--------------------|--|------------|-------------|------------|-------|------------|---------------|--------------------|-------------|--------------|-----------|----------------------|---------------------------|------------------------|------------------|--------------------------|
| | | 216 | 216 Ins. | 220 | 220 Ins. | 2415 | 2415 Ins. | 2411 | 2411 Ins. | 125 | 150 | 200 | 200-20 | 5150 | 5200 | 451 | 452 |
| | | Flush | | Ribbed | | | | | | Insulated | | | | Insulated | | | |
| Model | Max Door Wt. (lbs) | 16GA. | 16GA. Ins. | 20GA. Steel | 20GA. Ins. | 24GA. | 24GA. Ins. | Nominal 24GA. | Nominal 24GA. Ins. | PU-FIP | PU-FIP 1.38" | PU-FIP 2" | PU-FIP 2" 20GA. Ext. | PU-FIP Raised Panel 1.38" | PU-FIP Raised Panel 2" | 1/8" Glass 1.38" | 1/4" or 1/2" Glass 1.38" |
| 1/2 HP | 1120 | 256 | 220 | 370 | 256 | 440 | 340 | 320 | 320 | 256 | 360 | 400 | 300 | 400 | 380 | 360 | 240 |
| 3/4 HP | 1370 | 330 | 256 | 440 | 310 | 530 | 400 | 320 | 320 | 256 | 450 | 450 | 370 | 460 | 440 | 400 | 330 |
| 1 HP | 1620 | 380 | 280 | 500 | 370 | 570 | 410 | 320 | 320 | 256 | 480 | 480 | 420 | 500 | 480 | 400 | 400 |

MAX DOOR SIZE (SQ*FT) - ROLLING

| Door Series | | Steel Non-Insulated | | | | | | Steel Insulated | | | Counter Doors | | Grilles | |
|-------------|---------------------|---------------------|-------|-------|-------|-------|-------|-----------------|-------|-------|---------------|---------|----------|---------|
| Model | Max Door Wt. (lbs.) | 16GA. | 18GA. | 20GA. | 22GA. | 24GA. | 26GA. | 18GA. | 20GA. | 22GA. | Aluminum | STL/SST | Aluminum | STL/SST |
| 1/2 HP | 998 | 297 | 333 | 333 | 416 | 476 | 476 | 238 | 238 | 274 | 126 | 126 | 350 | 240 |
| 3/4 HP | 1220 | 359 | 419 | 419 | 552 | 618 | N/A | 276 | 276 | 309 | 126 | 126 | 450 | 310 |
| 1 HP | 1440 | 388 | 461 | 461 | 606 | 621 | N/A | 297 | 296 | 382 | 126 | 126 | 610 | 450 |

- Notes: 1. Max Door Weight and not the square footage, is the critical factor in selecting the proper operator.
 2. Max Door Height 24"
 3. For "Commercial Steel Insulated" category, various "backer" options are available. The chart above is based in all cases on the thickest backer available.
 4. "PU-FIP" stands for "polyurethane, foamed-in-place." If no notation is present, insulation is "polystyrene laid-in-place."

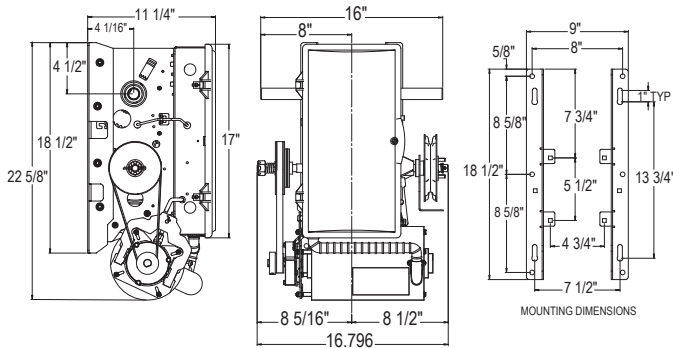
Construction

- Motor**
AC continuous-duty motor. Motor replaceable without changing limits. Thermally protected.
- Drive**
Primary — TensiBelt™ auto tensioning poly-V J belt.
Secondary — chain and sprocket reduction.
- Brake**
24VDC disc brake standard on 3/4 and 1 HP models; option on 1/2 HP models
- Friction Clutch**
Adjustable clutch to help protect against door and operator damage.
- Precision Radial Ball Bearings**
Included in critical areas throughout the powertrain.
- Emergency Hoist Manual Operation**
Electrically interlocked manual hoist with floor level disconnect.
- Pre-wired to accept:**
 - Monitored entrapment device such as photo eyes.
 - Single or 3-button control stations.
 - External interlock switches.

Accessories and Options

- Timer to Close Module**
This optional module plugs directly into the control board expansion port providing the operator with an automatic door closing feature with a user selectable time delay, adjustable from one second to five minutes (in increments of one second) using the LCD display. The module also includes pre-close warning output contacts, timer hold input, auxiliary open input, normally closed safety input, and monitored edges input.
 - Auxiliary Output Module**
Provides relay contacts at the open, close, and mid-stop limits. Contacts for 5-minute lamp, and "ADA" contacts set via LCD display to warn during opening, closing or both.
 - Intellicode® I Transmitters**
Available in single up to four button, or open/close/stop models.
 - Environmental Modifications**
Totally enclosed non-ventilated, or fan-cooled motors available - Must be ordered from the factory. Nema 4 or Nema 4X environmental modifications - Must be ordered from the factory.
 - UL325-2010 Approved Reversing Devices**
The installation of a monitored external entrapment device is required for momentary contact close operation on all commercial door operators. Only the following devices, when purchased through Genie, are UL-Approved for use to meet this requirement:
 - Safe-T-Beam® Photoeye Kit with adjustable bracket P/N 38176R.S¹
 - Impact-protected Commercial Photoeye Kit P/N OPAKPE2.S
 - MillerEdge ME/MT/CPT (DC or T3) 2-wire edge sensor. Must be used with TCM (OPABTCGX.S) or Interface Module (OPAKMEIGX.S).
 - Nema 4 Photoeyes P/N OPAKPEN4GX.S
 - Light Curtain 3 ft. length P/N OPAKMLC3.S, or 6 ft. length P/N OPAKMLC6.S
- ¹ — Default device when operator is ordered.

| HP | AMPERAGE RATING - 60Hz | | | | | | |
|-----|------------------------|---------|---------|---------|---------|---------|---------|
| | 115V 10 | 208V 10 | 230V 10 | 208V 30 | 230V 30 | 460V 30 | 575V 30 |
| 1/2 | 10 | 5 | 5 | 3 | 3 | 3 | 2 |
| 3/4 | 11 | 6 | 6 | 3 | 4 | 3 | 2 |
| 1 | 14 | 7 | 7 | 4 | 4 | 3 | 2 |



The Genie Company, One Door Drive, Mt. Hope, Ohio 44660
www.geniecompany.com/commercial | 1.800.843.4084

Item G001.0075 Rev. 7/20

YOUR GENIE PROFESSIONAL DEALER:

© 2020 The Genie Company. Genie and the Genie logo are registered trademarks of GMI Holdings, Inc., d/b/a The Genie Company. Consistent with our policy of continuing product improvement, we reserve the right to change product specifications without notice or obligation.