

GCL-MH

MEDIUM-DUTY HOIST OPERATOR



The GCL-MH is designed for high or full-lift sectional and rolling doors that have a limited-duty cycle requirement. Advanced features and robust mechanical design combine to provide a medium-duty operator that is the new standard in the industry.

UL325-2010 APPROVED

- Allows for monitored entrapment protection and momentary operation when used with select photo eyes and/or edge-sensing devices.
- See back for approved list of monitored devices.

GCL-MH Advantages

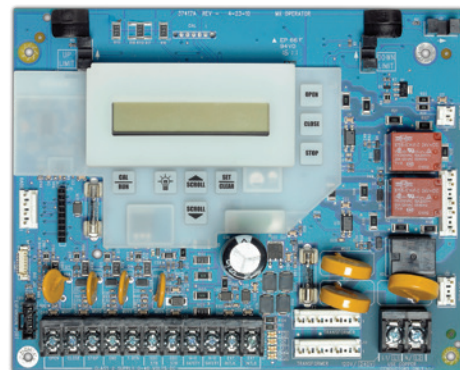
- Rated for 15 cycles per hour operation, maximizing the performance of a medium-duty operator.
- Modular design with optional expansion boards for advanced timer to close, and auxiliary output functionality.
- Optional: Intellicode® I plug and play receiver learns up to 50 transmitters. Learn and delete individual transmitters directly from LCD display.
- TensiBelt™ primary drive reduction eliminates need to adjust belt tension.
- Motor with built-in thermal protection and ball bearing drive end. Provides overload protection and bearings extend life of motor over typical bushings.
- LCD display with intuitive setup menu. Provides real-time status and trouble-shooting assistance.
- Open/close/stop and setup keys included on control board. Keeps all controls near the LCD display convenient for set up.

GCL-MH operators are covered by the following U.S. patents: 7355363, 7878931, 8014966



Standard Features

- Optical limit system with linear travel nuts.
- Max run timer automatically adjusts to up and down run time.
- TensiBelt™ primary reduction.
- Delay on reverse.
- 16-character LCD display.
- UL325-2010 approved.
- 3-button control station.
- 2-year/20,000-cycle warranty.
- Programmable mid-stop.
- Emergency hoist for manual operation. Available in right hand only.



If a commercial door is an essential component of your business, then a Genie operator will help ensure it performs when you need it - every day. You can count on our long-standing reputation for innovative & reliable performance. Genie - The Brand You Trust.

©2020 The Genie Company | GCL-MH



GCL-MH | MEDIUM-DUTY HOIST OPERATOR

MAX DOOR SIZE (SQ*FT) - SECTIONAL

Door Series		Commercial Steel Insulated & Non-Insulated								Thermospan®				ThermoMark™		Aluminum	
		216	216 Ins.	220	220 Ins.	2415	2415 Ins.	2411	2411 Ins.	125	150	200	200-20	5150	5200	451	452
		Flush		Ribbed						Insulated				Insulated			
Model	Max Door Wt. (lbs.)	16GA.	16GA. Ins.	20GA. Steel	20GA. Ins.	24GA.	24GA. Ins.	Nominal 24GA.	Nominal 24GA. Ins.	PU-FIP	PU-FIP 1.38"	PU-FIP 2"	PU-FIP 2" 20GA. Ext.	PU-FIP Raised Panel 1.38"	PU-FIP Raised Panel 2"	1/8" Glass 1.38"	1/4" or 1/2" Glass 1.38"
1/2 HP	620	170	120	230	160	270	200	300	256	256	256	240	160	256	256	210	144

MAX DOOR SIZE (SQ*FT) - ROLLING

Door Series		Steel Non-Insulated						Steel Insulated			Counter Doors		Grilles		Sheet Door
		16GA.	18GA.	20GA.	22GA.	24GA.	26GA.	18GA.	20GA.	22GA.	Aluminum	STL/SST	Aluminum	STL/SST	26GA.
Model	Max Door Wt. (lbs.)	197	246	246	338	394	394	148	148	197	126	126	300	200	256
1/2 HP	580														

- Notes: 1. Max Door Weight and not the square footage, is the critical factor in selecting the proper operator.
 2. Max Door Height 16'
 3. For "Commercial Steel Insulated" category, various "backer" options are available. The chart above is based in all cases on the thickest backer available.
 4. "PU-FIP" stands for "polyurethane, foamed-in-place." If no notation is present, insulation is "polystyrene laid-in-place."

Construction

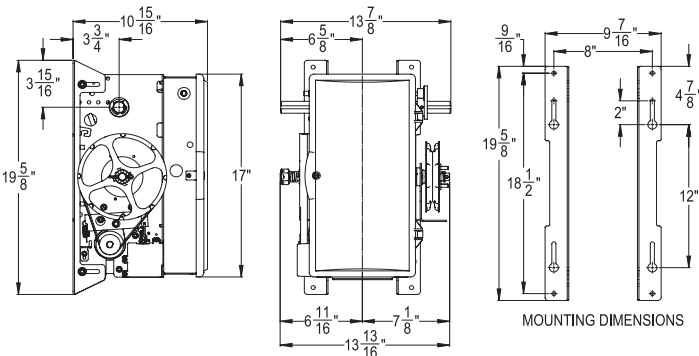
- Motor**
1/2 HP, AC capacitor start/run motor. Motor replaceable without changing limits.
- Brake**
AC solenoid actuated band brake.
- Drive**
Primary — TensiBelt™ auto tensioning poly-V J belt.
Secondary — chain and sprocket reduction.
- Friction Clutch**
Adjustable clutch to help protect against door and operator damage.
- Precision Radial Ball Bearings**
Included in critical areas throughout the powertrain.
- Emergency Hoist Manual Operation**
Electrically interlocked manual hoist with floor level disconnect.
- Pre-wired to accept:**
 - Monitored entrapment device such as photo eyes.
 - Single or 3-button control stations.
 - External interlock switches

Accessories and Options

- Timer to Close Module**
Timed close set via the LCD display from 2 seconds up to 5 minutes. Includes pre-close warning contacts, timer hold input, auxiliary open input, normally closed safety input, and monitored edge input.
- Auxiliary Output Module**
Provides relay contacts at the open, close, and mid-stop limits. Contacts for 5-minute lamp, and "ADA" contacts set via LCD display to warn during opening, closing or both.
- 315Mhz Receiver Module**
IntelliCode® 1 radio receiver that is 315Mhz and capable of storing 50 single-button and/or 50 open-close-stop transmitters with the ability to add and/or delete transmitters individually, identify and store activating transmitter ID(s).
- UL325-2010 Approved Reversing Devices**
The installation of a monitored external entrapment device is required for momentary contact close operation on all commercial door operators. Only the following devices, when purchased through Genie, are UL-Approved for use to meet this requirement:
 - Safe-T-Beam® Photoeye Kit with adjustable bracket P/N 38176R.S¹
 - Impact-protected Commercial Photoeye Kit P/N OPAKPE.S
 - MillerEdge ME/MT/CPT (DC or T3) 2-wire edge sensor. Must be used with TCM (OPABTCGX.S) or Interface Module (OPAKMEIGX.S).
 - Nema 4 Photoeyes P/N OPAKPEN4GX.S

¹ — Default device when operator is ordered.

AMPERAGE RATING @ 60Hz	
HP	115V
1/2	6.5



The Genie Company, One Door Drive, Mt. Hope, Ohio 44660
www.geniecompany.com/commercial | 1.800.843.4084

Item G001.0074 Rev. 03/20

YOUR GENIE PROFESSIONAL DEALER:

© 2020 The Genie Company. Genie and the Genie logo are registered trademarks of GMI Holdings, Inc., d/b/a The Genie Company. Consistent with our policy of continuing product improvement, we reserve the right to change product specifications without notice or obligation.