

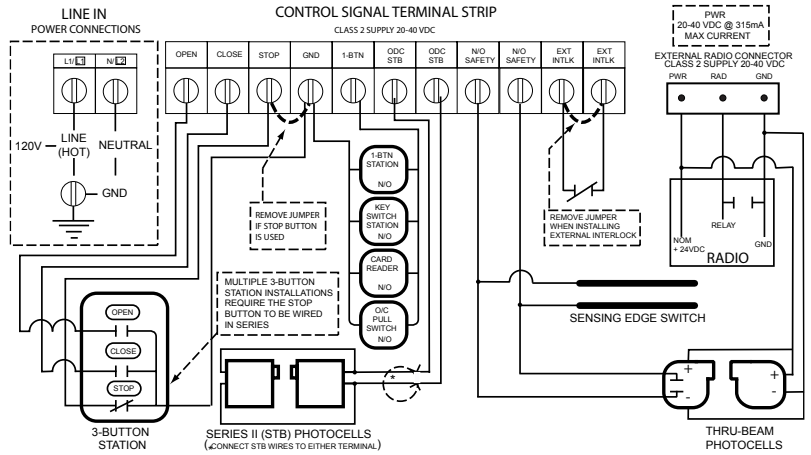
# GCL-GCX

LIGHT-DUTY COUNTER DOOR OPERATOR

# WIRING DIAGRAM

TROUBLESHOOTING LEDs				
HOIST INTERLOCK	EXTERNAL INTERLOCK	24 VOLTS DC	STB ENABLE	INDICATION
			OFF	STB DISABLED OR STB WIRING SHORT
			ON	STB ENABLED
ON	ON	ON		NORMAL OPERATING CONDITION
OFF	OFF	ON		EXTERNAL INTERLOCK OPEN
OFF	OFF	OFF		<b>POWER SUPPLY PROBLEM</b> 1) CHECK AC POWER SUPPLY 2) CHECK MAIN POWER FUSE 3) CHECK SECONDARY FUSE

## NOT FOR RESIDENTIAL USE

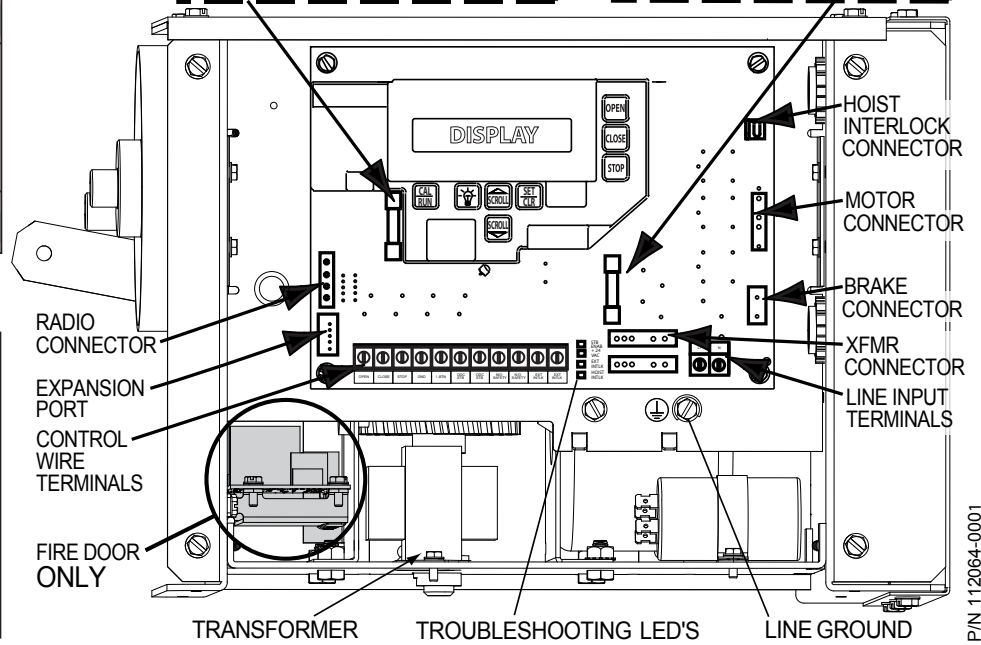


**WARNING**  
DO NOT TOUCH ANYTHING INSIDE THIS ENCLOSURE - OTHER THAN THE KEYPAD - WHILE UNIT IS ENERGIZED  
**WARNING**

**CAUTION**  
To prevent motor protector from tripping, DO NOT exceed 4 door operations per hour. For light-duty use ONLY.  
**CAUTION**

**RADIO FUSE**  
REPLACE RADIO FUSE WITH GDC-315mA OR S504-315mA ONLY

**SECONDARY FUSE**  
REPLACE SECONDARY FUSE WITH GDB-2A OR S500-2A ONLY



P/N 112064-0001

